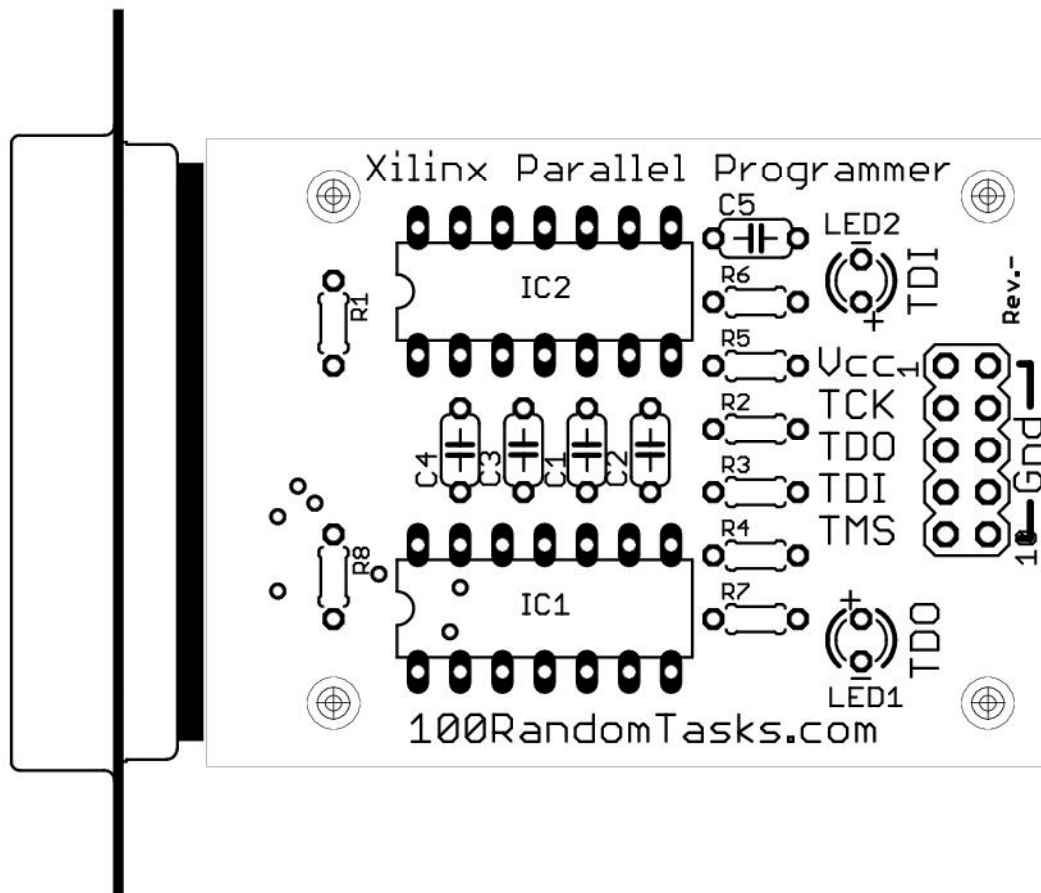


Xilinx Parallel Programmer

Parts Layout



IC1, IC2	74HCT125N
R1-R5	100 ohm Resistor
R6, R7	270 ohm Resistor
R8	5.1K Resistor
C1-C4	100pF Capacitor
C5	0.01uF Capacitor
LED1	Green LED
LED2	Red LED

Visit us at 100RandomTasks.com for more ideas.